



## • ED1751 Series.

DC Brushless fan.

Size:  $\varnothing$  172 x 51 mm

6.7 x 2 inches

Airflow: Max. 325 CFM / 9.2 m<sup>3</sup>/min

Metal Frame / Metal Impeller

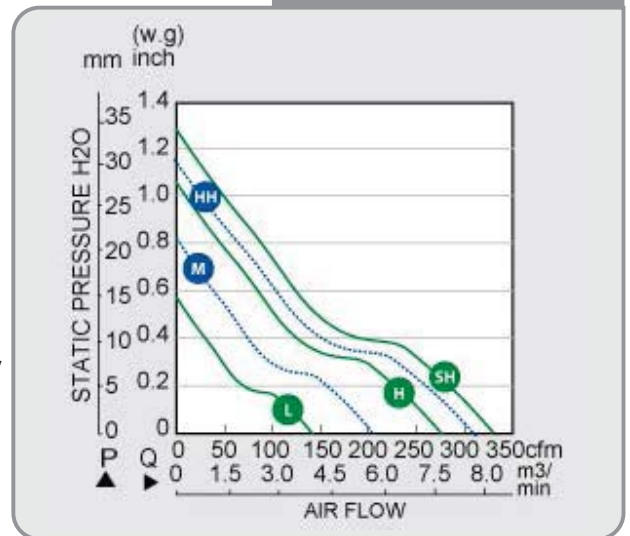
| Model No.      | Rated Voltage<br>VDC | Voltage Range<br>VDC | Input Power<br>Watt | Rated Current<br>Amp | Ref Speed<br>RPM | Max. Airflow<br>CFM | m <sup>3</sup> /min | Max. Static Pressure<br>Inch/H <sub>2</sub> O | mm/H <sub>2</sub> O | Noise Level<br>dB (A) | PQ Curves |
|----------------|----------------------|----------------------|---------------------|----------------------|------------------|---------------------|---------------------|---|---------------------|-----------------------|-----------|
| ED1751M-12SH** | 12                   | 8~14                 | 64.8                | 5.4                  | 4300             | 320                 | 9.1                 | 1.15  | 27.21               | 64                    | SH        |
| ED1751M-12HH** | 12                   | 8~14                 | 50.4                | 4.2                  | 4100             | 300                 | 8.5                 | 1.05  | 26.67               | 61                    | HH        |
| ED1751M-12H**  | 12                   | 8~14                 | 23                  | 1.9                  | 3700             | 270                 | 7.6                 | 0.95  | 24.13               | 58                    | H         |
| ED1751M-12M**  | 12                   | 9~14                 | 13.2                | 1.1                  | 2800             | 200                 | 5.7                 | 0.80  | 20.12               | 45                    | M         |
| ED1751M-12L**  | 12                   | 9~15                 | 5.5                 | 0.45                 | 2000             | 145                 | 4.1                 | 0.56  | 14.22               | 36                    | L         |
| ED1751M-24SH** | 24                   | 15~27.6              | 63.6                | 2.65                 | 4300             | 325                 | 9.2                 | 1.25  | 31.75               | 65                    | SH        |
| ED1751M-24HH** | 24                   | 15~27.6              | 50.4                | 2.1                  | 4200             | 310                 | 8.8                 | 1.15  | 29.91               | 63                    | HH        |
| ED1751M-24H**  | 24                   | 15~27.6              | 24                  | 0.97                 | 3850             | 285                 | 8.1                 | 1.05  | 26.67               | 58                    | H         |
| ED1751M-24M**  | 24                   | 17~28                | 13                  | 0.52                 | 2800             | 200                 | 5.7                 | 0.80  | 20.32               | 45                    | M         |
| ED1751M-24L**  | 24                   | 17~28                | 5                   | 0.2                  | 2000             | 145                 | 4.1                 | 0.56  | 14.22               | 36                    | L         |
| ED1751M-48SH** | 48                   | 22~55                | 62.4                | 1.3                  | 4350             | 325                 | 9.2                 | 1.25  | 31.75               | 65                    | SH        |
| ED1751M-48HH** | 48                   | 22~55                | 49.4                | 1.03                 | 4100             | 310                 | 8.8                 | 1.15  | 29.21               | 63                    | HH        |
| ED1751M-48H**  | 48                   | 22~55                | 23.5                | 0.48                 | 3850             | 290                 | 8.2                 | 1.05  | 26.67               | 58                    | H         |
| ED1751M-48M**  | 48                   | 24~58                | 14.5                | 0.3                  | 2800             | 200                 | 5.7                 | 0.80  | 20.32               | 45                    | M         |
| ED1751M-48L**  | 48                   | 24~60                | 5.8                 | 0.12                 | 2000             | 145                 | 4.1                 | 0.56  | 14.22               | 36                    | L         |

\*\* = "BL" for Ball bearing wire lead type, or "BT" for Ball bearing terminal type.

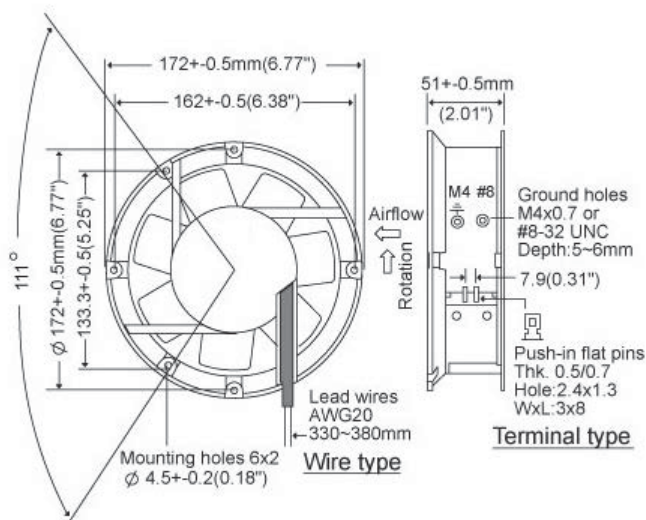
We Reserve the right to change data and improve electrical & mechanical design without notice, data tolerance +/- 10%

|                      |  |
|----------------------|--|
| Motor Type:          | Microprocessor brushless DC Motor, auto cutoff, auto restart |
| Burnout Protection:  | Electronically protected, polarity protected                 |
| IP Protection:       | IP55, 56 Optional request                                    |
| <b>Mechanical</b>    |  |
| Frame:               | Aluminum die cast, black color(AP)                           |
| Impeller:            | 7 blades, all metal  |
| Bearing:             | Two ball bearings  |
| Rotation:            | CW seen on rotor   |
| Connection:          | Wire lead or terminal flat pin connecting                    |
| Weight:              | 930g (2.05 Lbs)  |
| <b>Electronical</b>  |  |
| Dielectric Strength: | 500 VAC/min. Max leakage 500mA                               |
| Speed Control:       | Optional: PWM, S/C NTC thermister, 0~10V control voltage S/V |
| Signal Output:       | Optional: R/D alarm output, tachometer output F/G            |
| <b>Environment</b>   |  |
| Operating Temp:      | -20°C~+65°C  |
| Storage Temp:        | -25°C~+75°C (at 65%RH)                                       |
| Life Expectancy:     | L10 50K hours at 50°C  |

### ► Performance P-Q Curves.



### ► Outline Dimensions.



### Fan Accessories

